

4

3

2

1

D

D

C

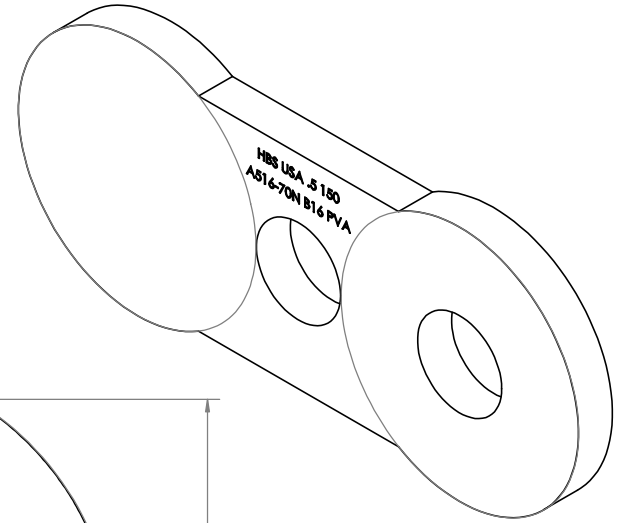
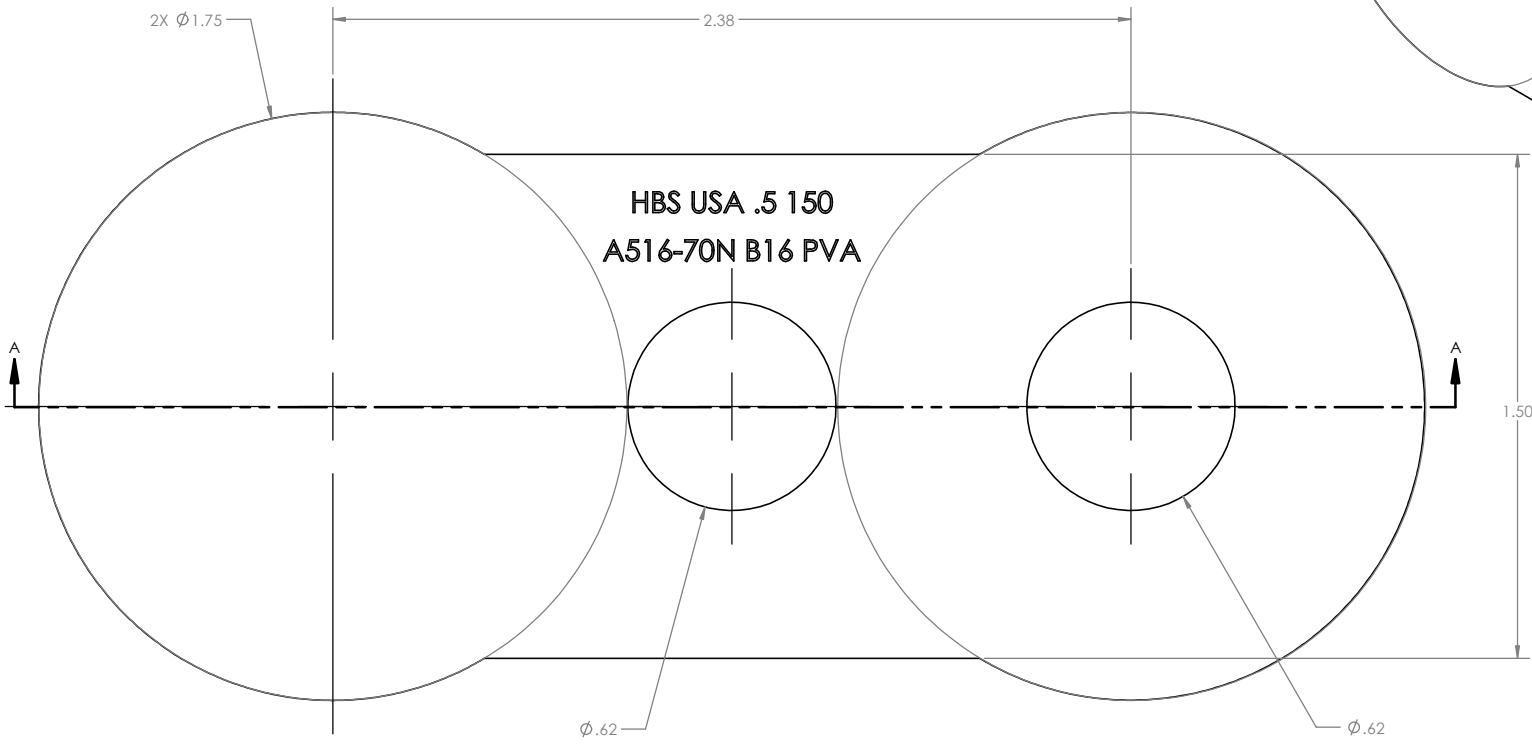
C

B

B

A

A



HBS USA .5 150
A516-70N B16 PVA

2X ϕ 1.75

2.38


1.50

ϕ .62

ϕ .62

.25

SECTION A-A

DO NOT SCALE PRINT		UNLESS OTHERWISE SPECIFIED: OUTSIDE DIAMETER: (+/-0.12) INSIDE DIAMETER: (+/-0.12) THICKNESS TOLERANCES (-ZERO +0.12) ALL UNITS IN INCHES OR POUNDS		HYDROBLIND -ISOLUTIONS
 <small>THIRD ANGLE PROJECTION</small>		SHEET 1 OF 1		
MATERIAL: CUSTOMER REQUESTED		DATE: 06/24/2020		DRAWING TITLE: 1/2 CL 150 FIGURE 8 BLIND
		DIMENSIONS & TOLERANCES TO BE IN ACCORDANCE WITH ASME B16.48		
SCALE: 3.5:1	SIZE: C	DRAWING NUMBER: 1SBD		REV: 00

4

3

2

1